

1

2

3

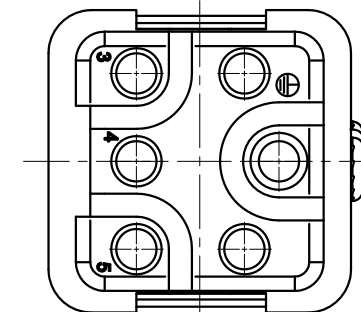
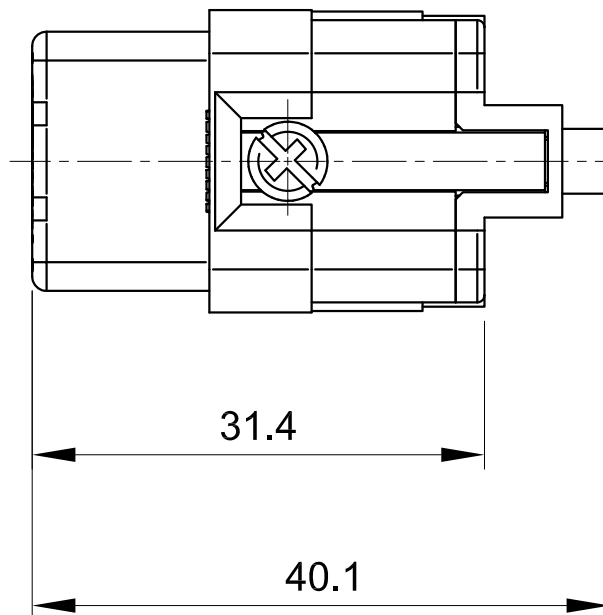
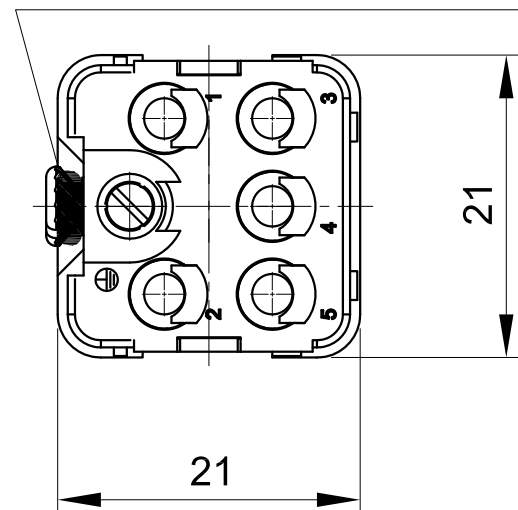
4

5

6

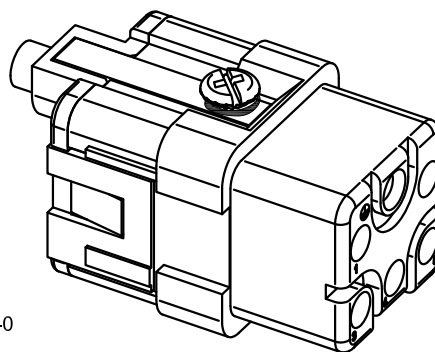
A

Countersunk screw M3x6-4.8



## Technical data:

- No. of contact: 5
- Termination method: Crimp termination
- Gender: Female
- Size: A3
- Conductor cross-section: 0.14 ... 2.5 mm<sup>2</sup>
- Rated current: 16A
- Rated voltage conductor-earth: 230V
- Rated voltage conductor-conductor: 400V
- Rated impulse voltage: 4kV
- Pollution degree: 3
- Rated voltage acc.to UL: 600V
- Insulation resistance:  $\geq 10^9 \Omega$
- Limiting temperature: -40 ... +125°C
- Material(insert): Polycarbonate
- Color(insert): RAL 7032(pebble grey)
- Mating cycles:  $\geq 500$
- Material flammability class acc. to UL94: V-0
- RoHS: Compliant
- Specifications: IEC61984, EN60664-1



C

D



All Dimensions in mm  
Original Size DIN A4

Date

2019-03-14

Drawing No.

TC1885560

Rev.

A00

Scale

1:1

Part No.

10 36 005 2200

Created by

Shuxu Huang

Checked by

Yiyi Luo

Page

1/1

InKonn (Suzhou) Electric Technology Co.,Ltd.

Type Name

IQ-005/0-CF

1

2

3

4

5

6

D